

CITTÀ

Daily Sofa & Armchair

Product Information Document

The Daily collection strikes the perfect balance of classic yet modern design. It takes inspiration from mid-century style, combined with a timeless aesthetic to meet today's needs and seamlessly integrate into all living spaces.

Designed in our New Zealand studio by David Moreland and Nikolai Sorensen. Made in your choice of premium fabric.



Daily Sofa & Armchair

Material: Solid Oak/Solid Walnut, Foam, Dacron

Upholstery: Please refer to "Fabric Specifications PDF" for fabric options.



Oak



Walnut

Residential Warranty

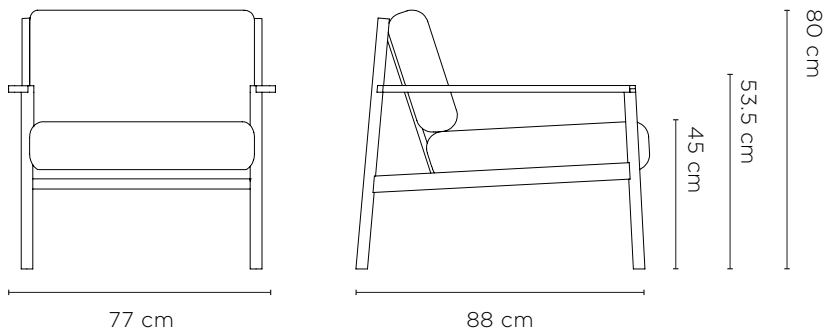
Upholstery: 1 Year | Frame: 10 Years

Commercial Warranty

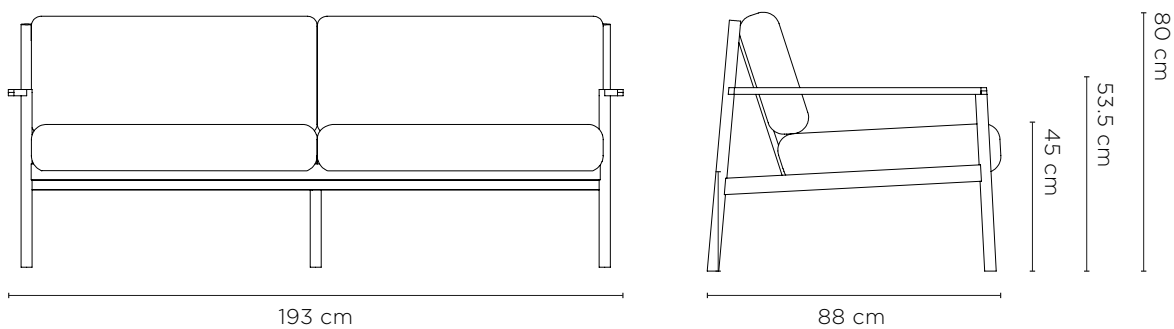
Upholstery: 1 Year | Frame: 5 Years

No Assembly Required.

01. Daily Armchair



02. Daily Sofa



Care Instructions

Avoid direct sunlight. Vacuum regularly using an upholstery attachment on low-suction. Rotate cushions regularly. All fabric stretches as part of the general wear process. Feathers may work through the fabric over time. Attend to spills immediately by soaking them up with a clean, absorbent, lint-free sponge or cloth. Gently dab; do not rub vigorously. If cleaning products are required, consult a furniture cleaning specialist. We do not recommend using any fabric protector treatments, as this voids your fabric warranty. Please note, all fabric warranties are with the fabric supplier. Città sofas have a 5-year warranty that covers the frame and fill.